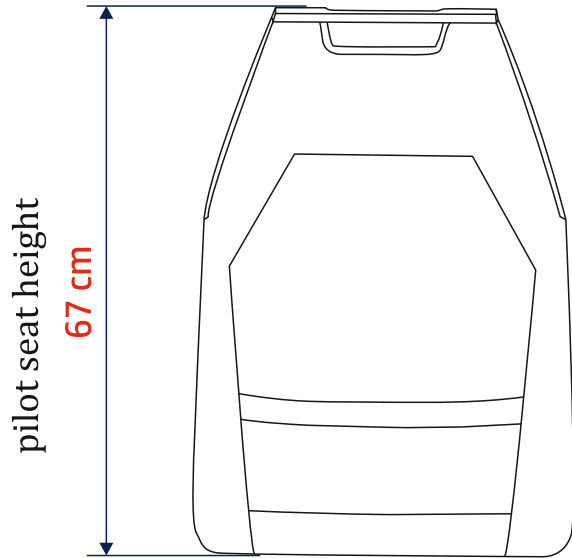
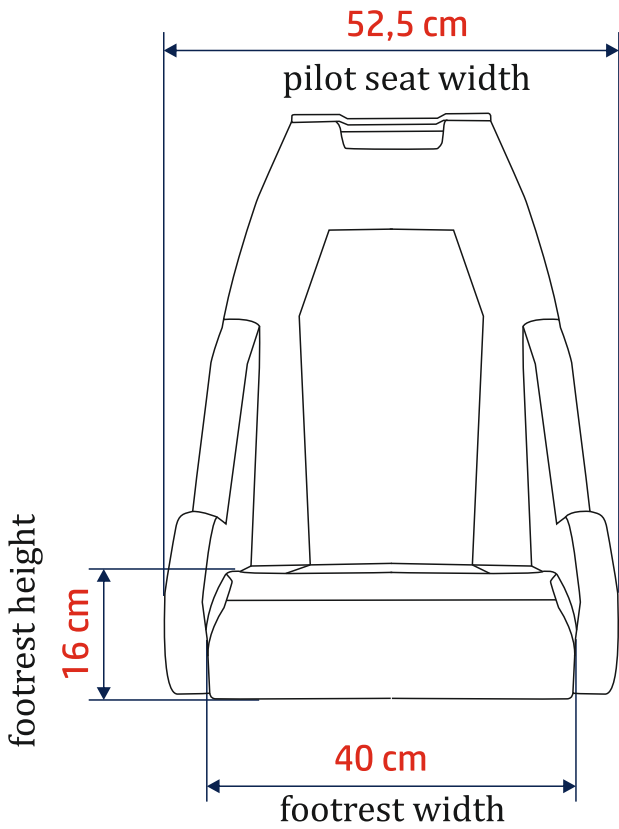
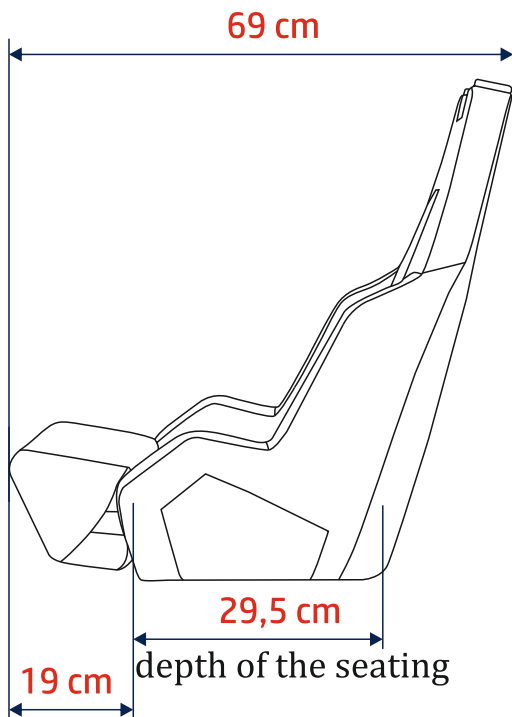


# BOSMAN

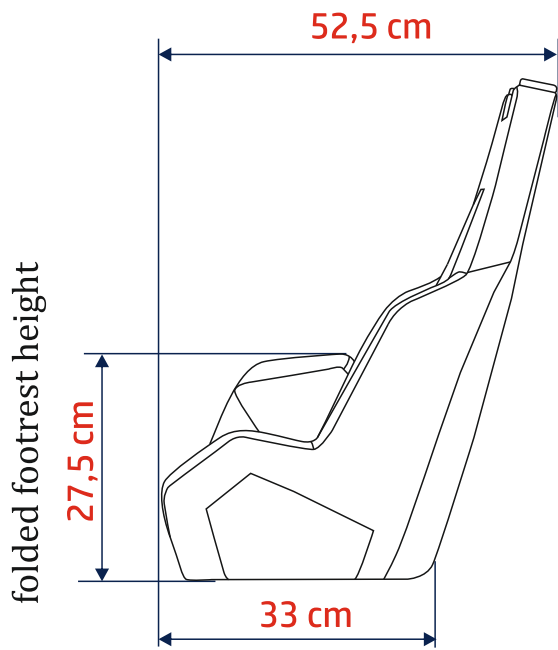


depth of the pilot seat with footrest down



depth of the footrest

depth of the pilot seat



depth of the pilot seat bottom

